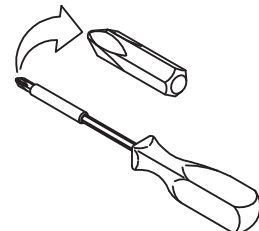
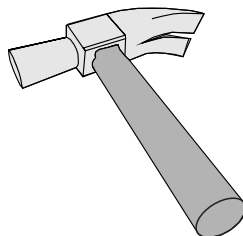
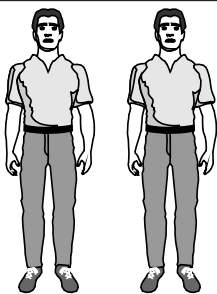
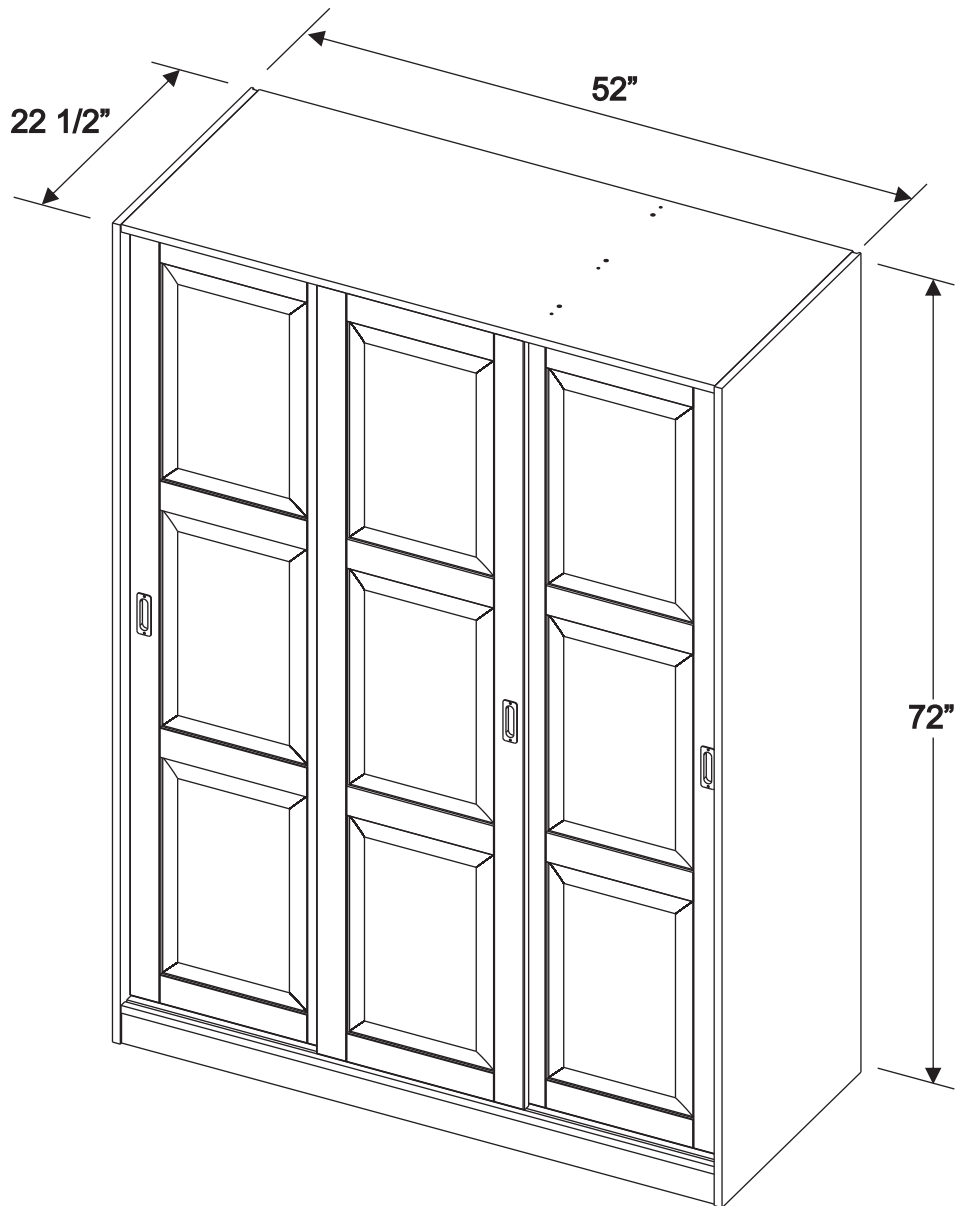


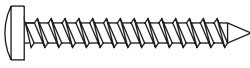

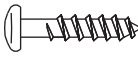
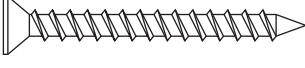
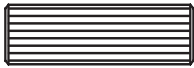
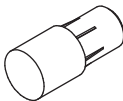
ASSEMBLY INSTRUCTIONS INSTRUCCIONES DE MONTAJE 3 SLIDING DOOR WARDROBE

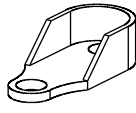



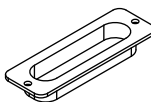
Ref. 5672 - Mahogany

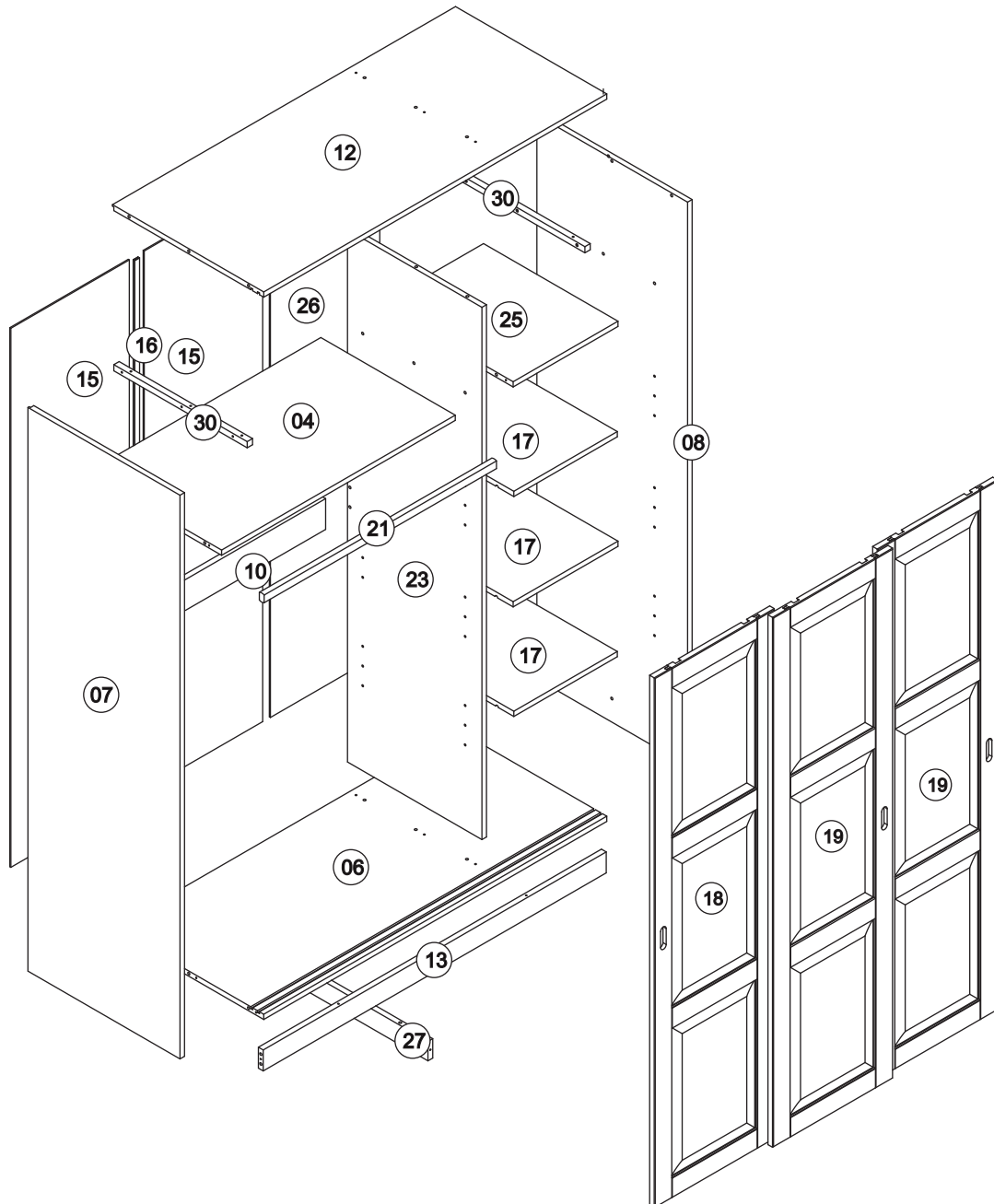
Ref. 5674 - Honey Pine



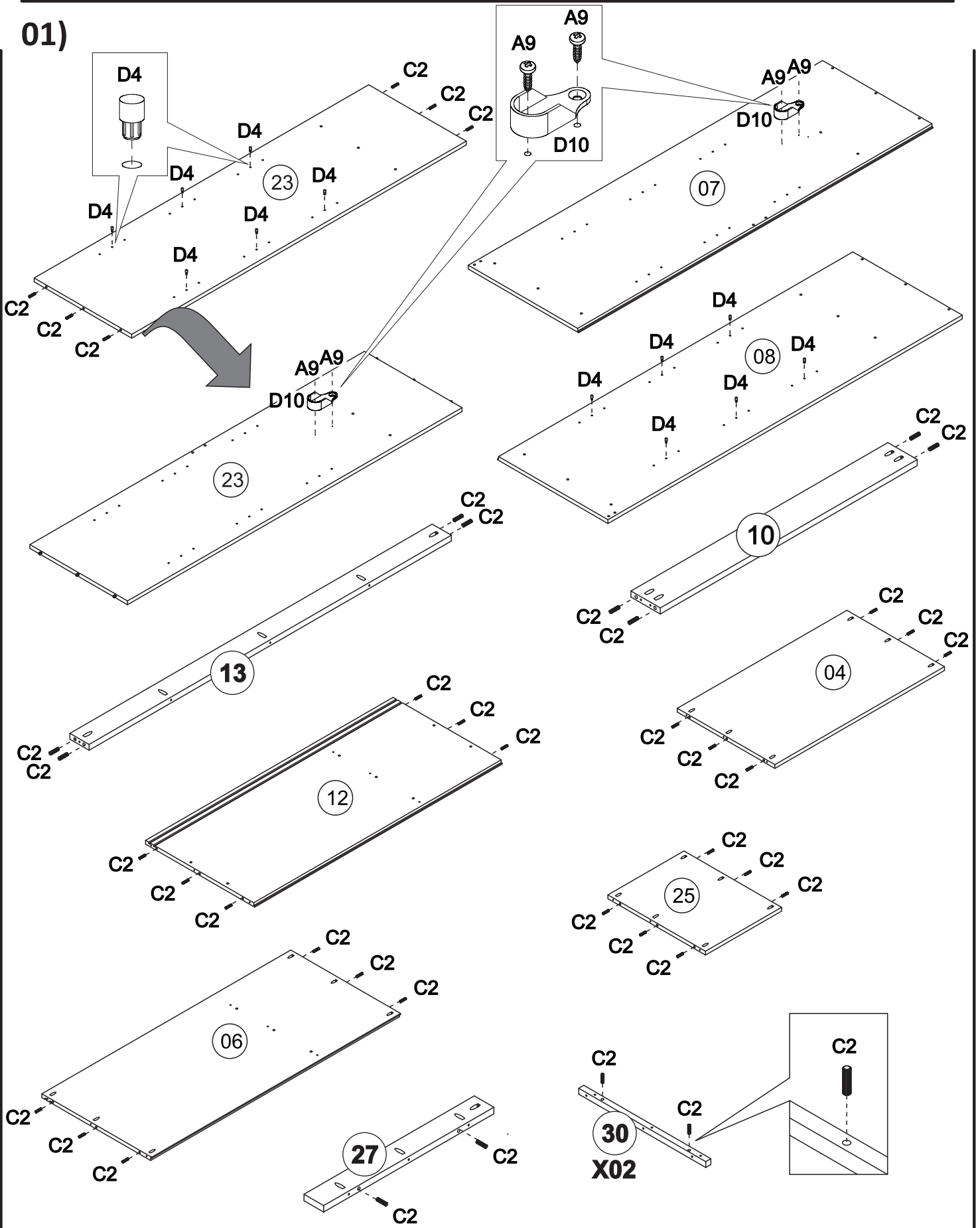
HARDWARE IN ACTUAL SIZE / ACCESORIO ENTAMAÑO REAL

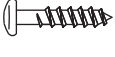



A1	 4,0x30	43
A3	 3,0x16	06
A9	 3,5x16	28
A16	 4,0x40	06
C2	 8,0x25	44
D4		12

D10		02
E6	 DOOR TOP	06
E7	 DOOR BOTTOM	06
G1	 10x10	58
H2		03

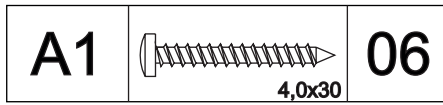
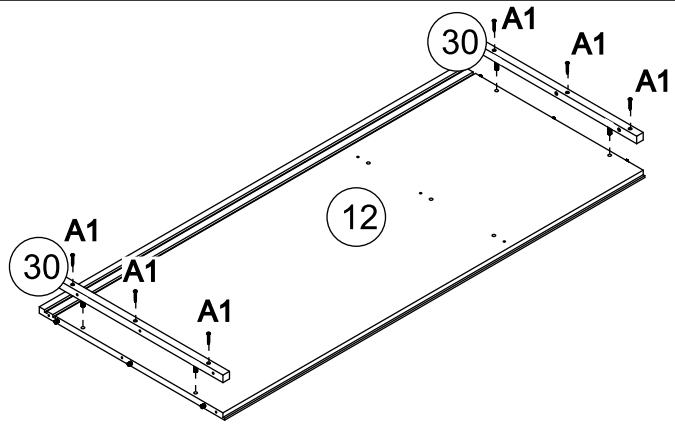


01)

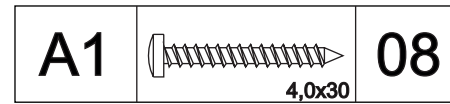
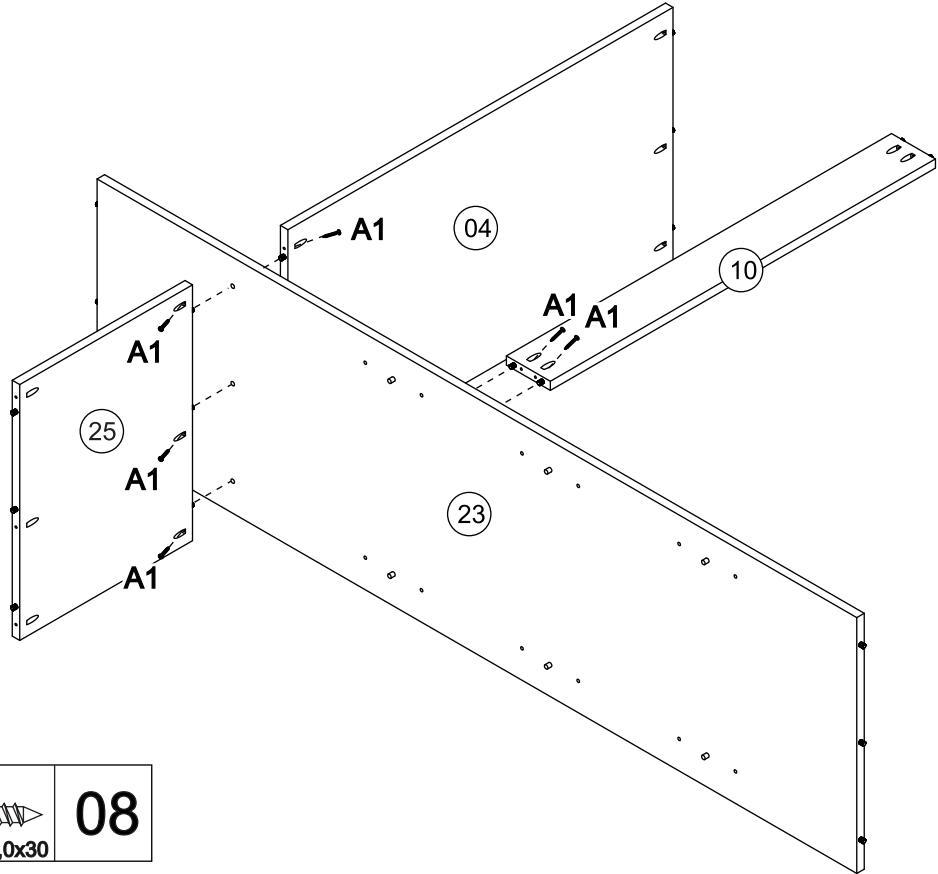


A9	 3,5x16	04	D4		12
C2	 8,0x25	44	D10		02

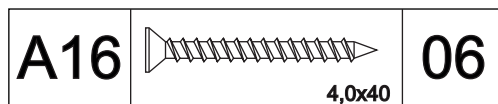
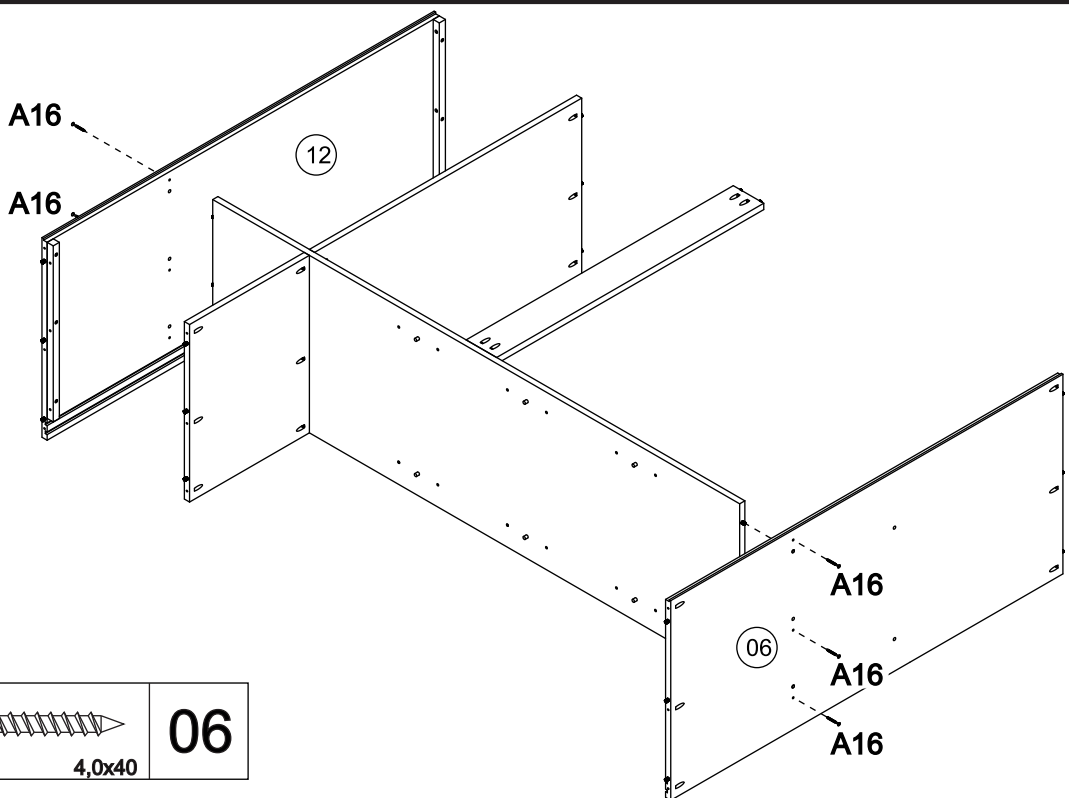
02)



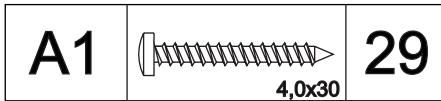
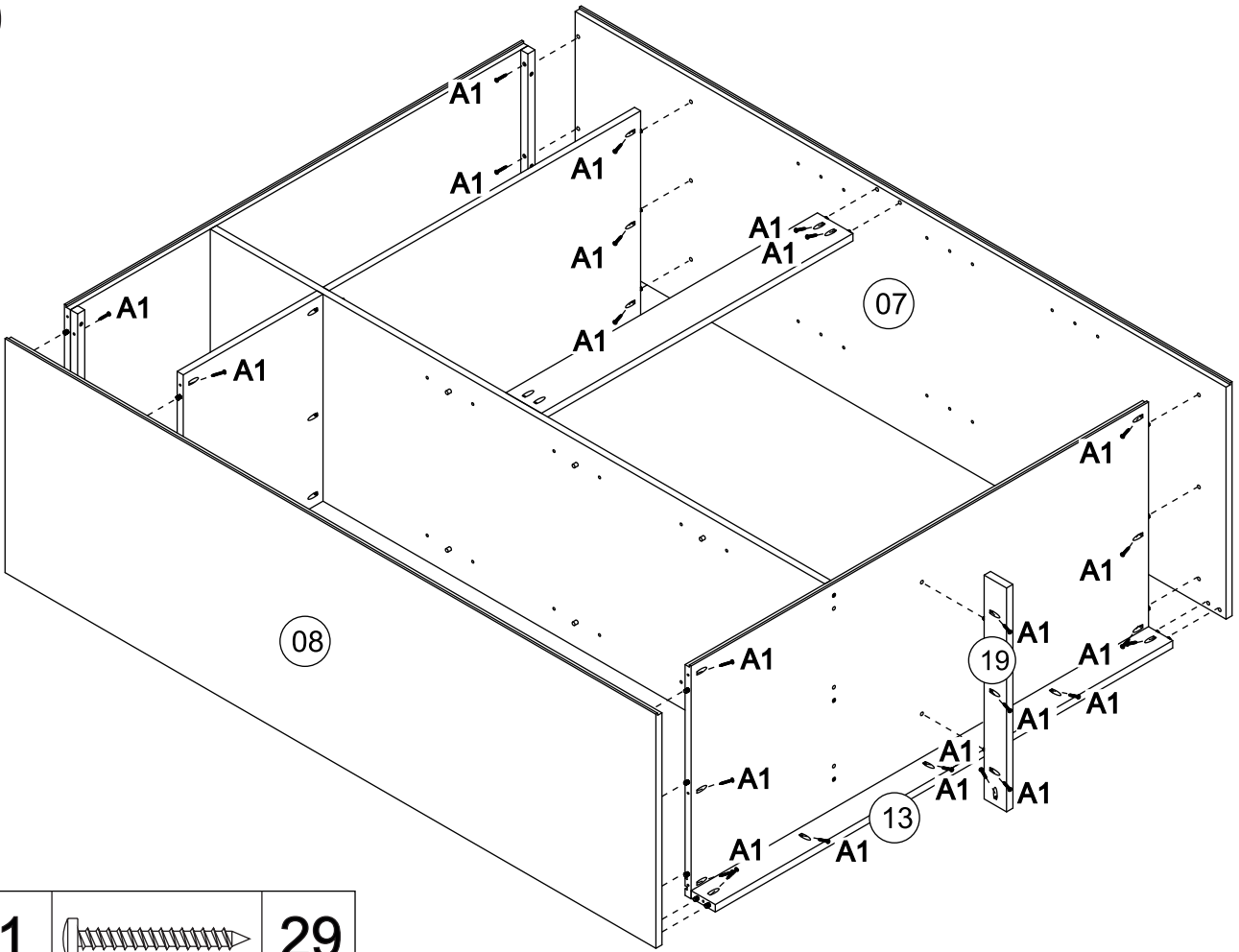
03)



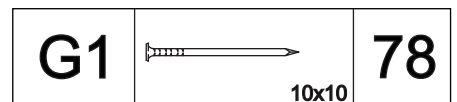
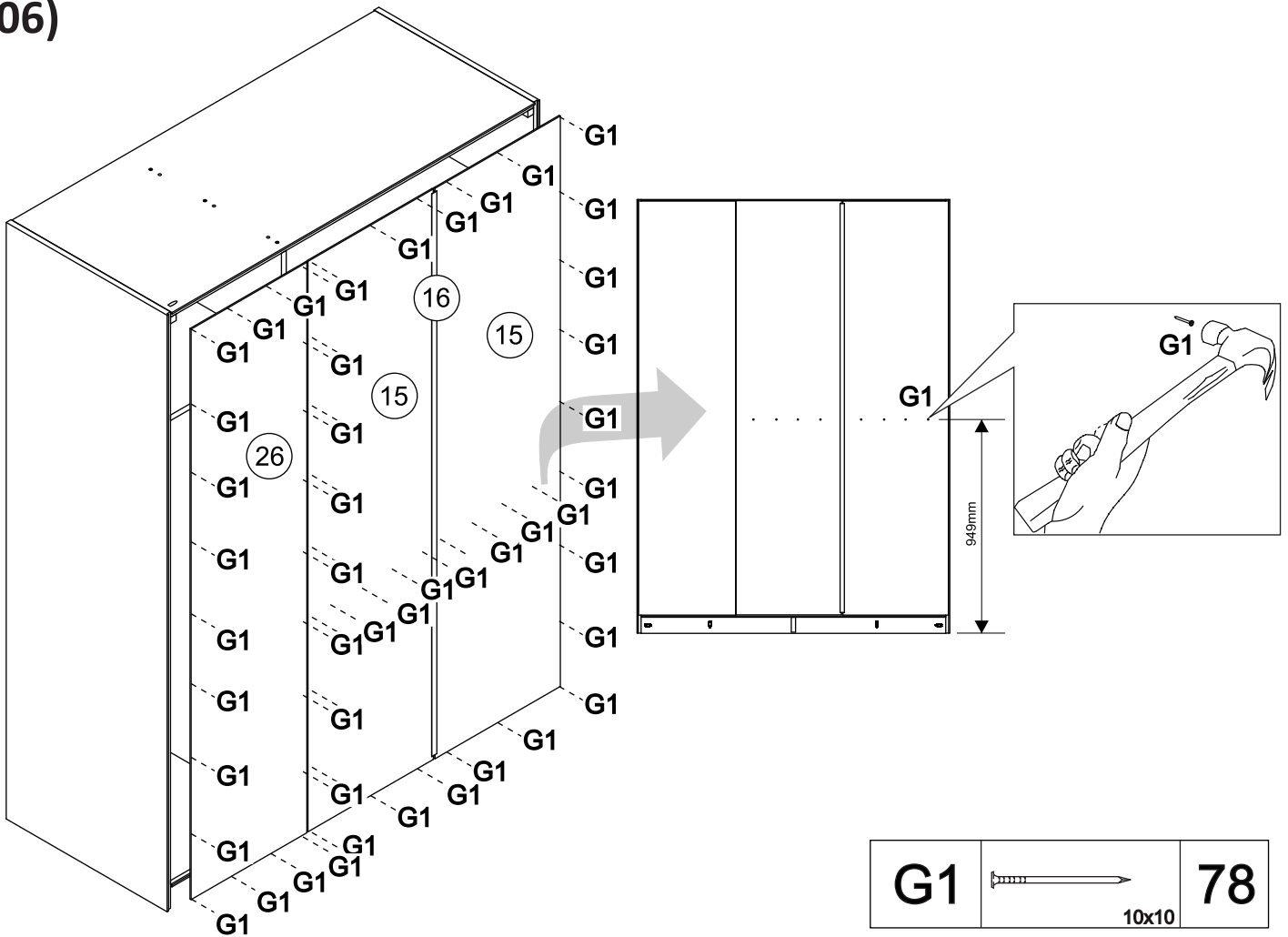
04)



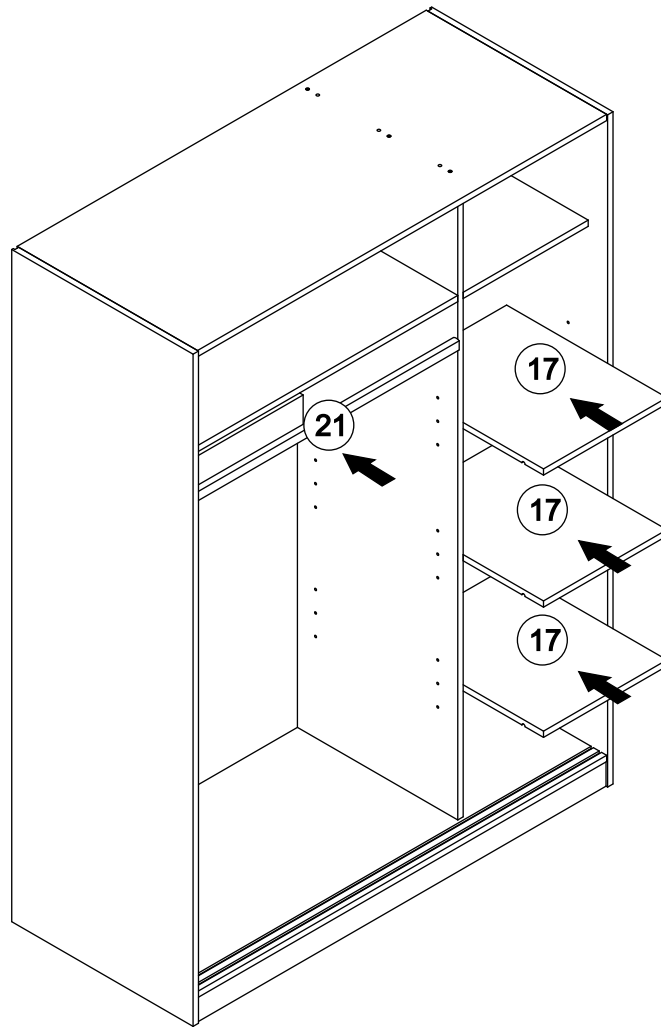
05)



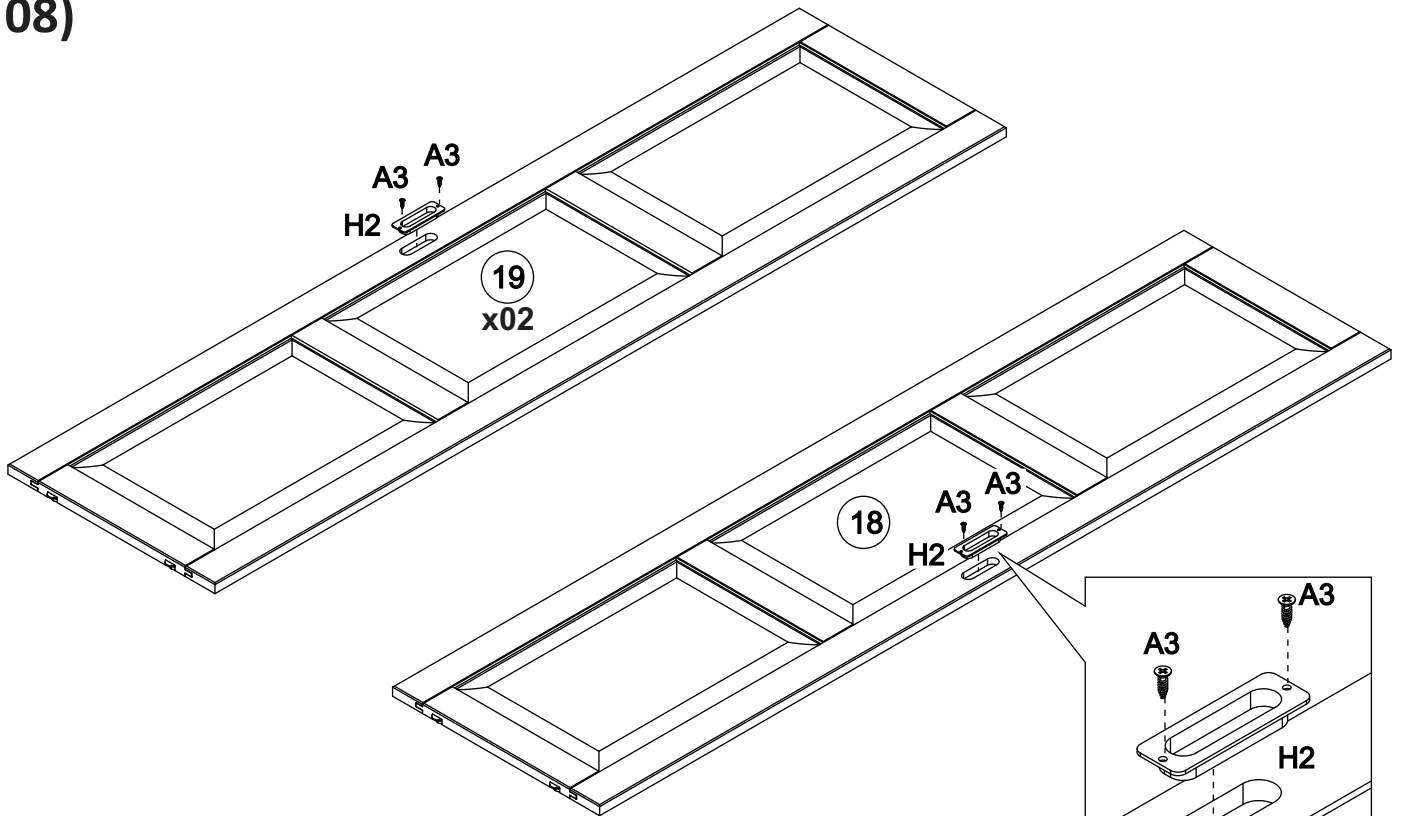
06)





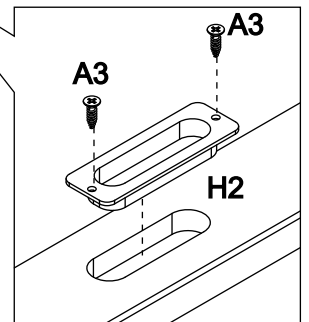
07)



08)

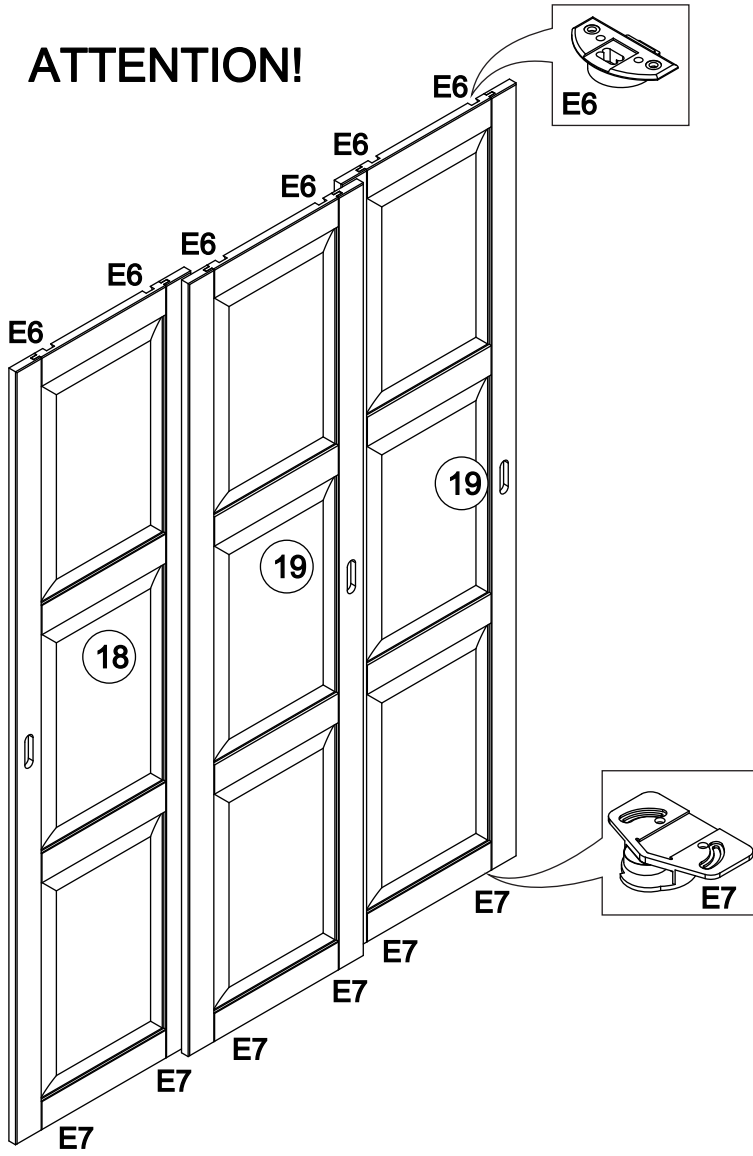


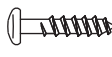


A3	 3,0x16	06
H2		03

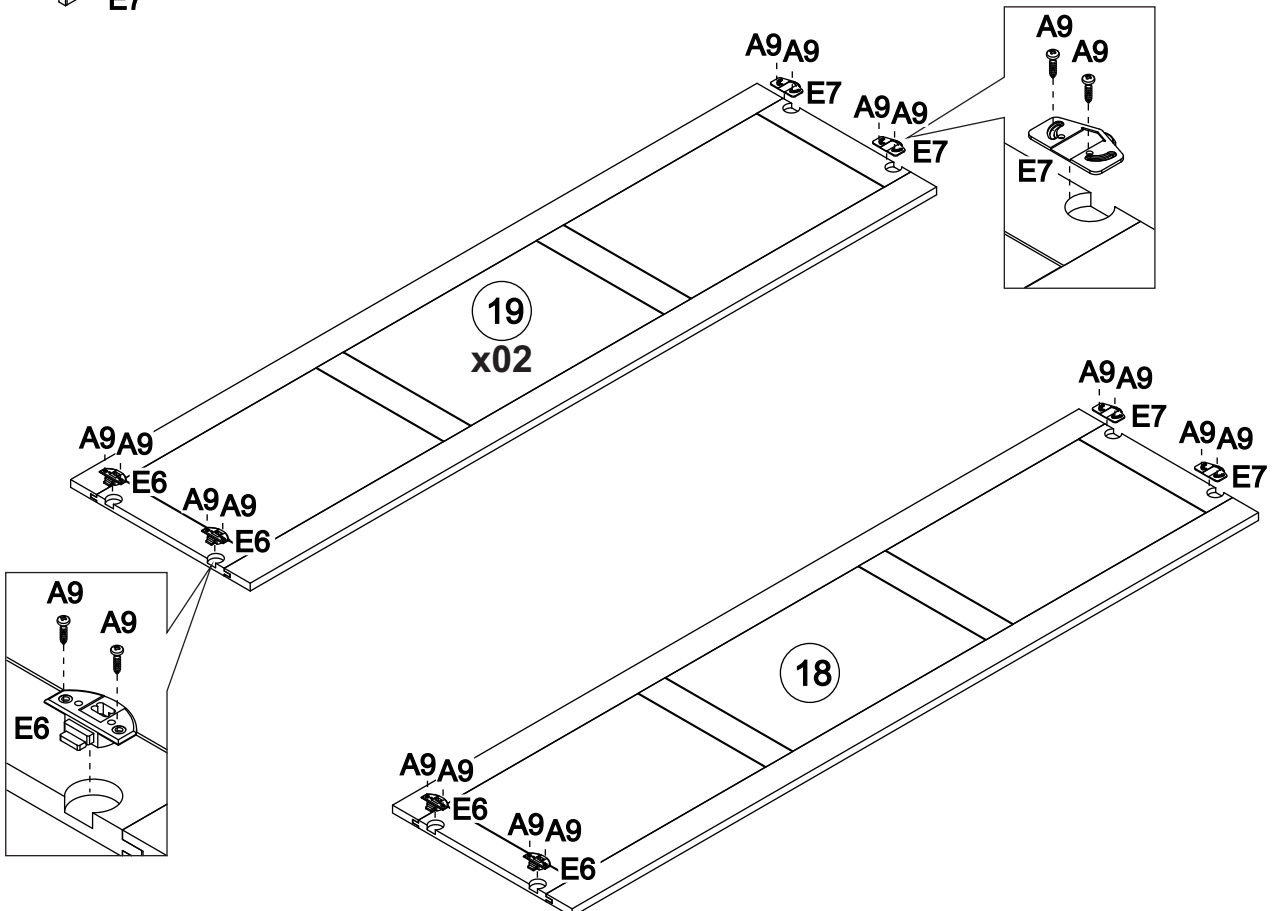


09)

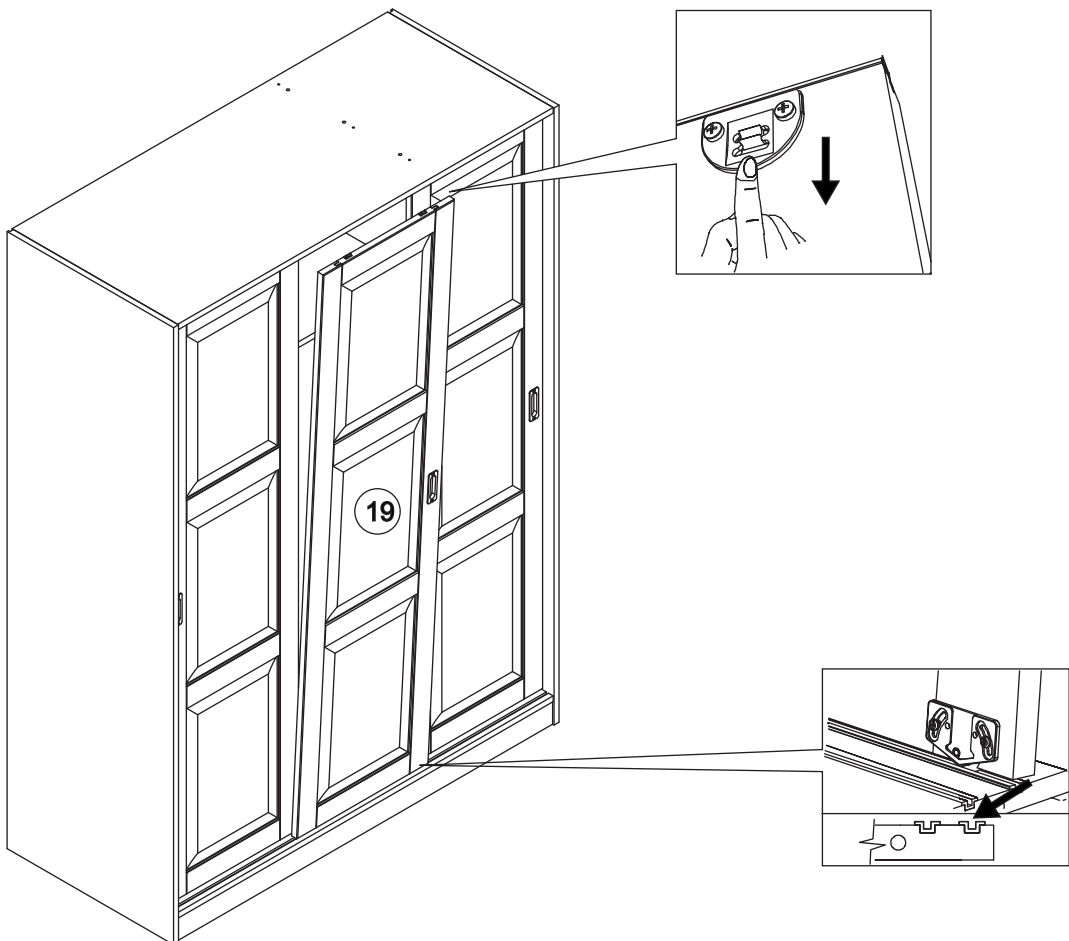
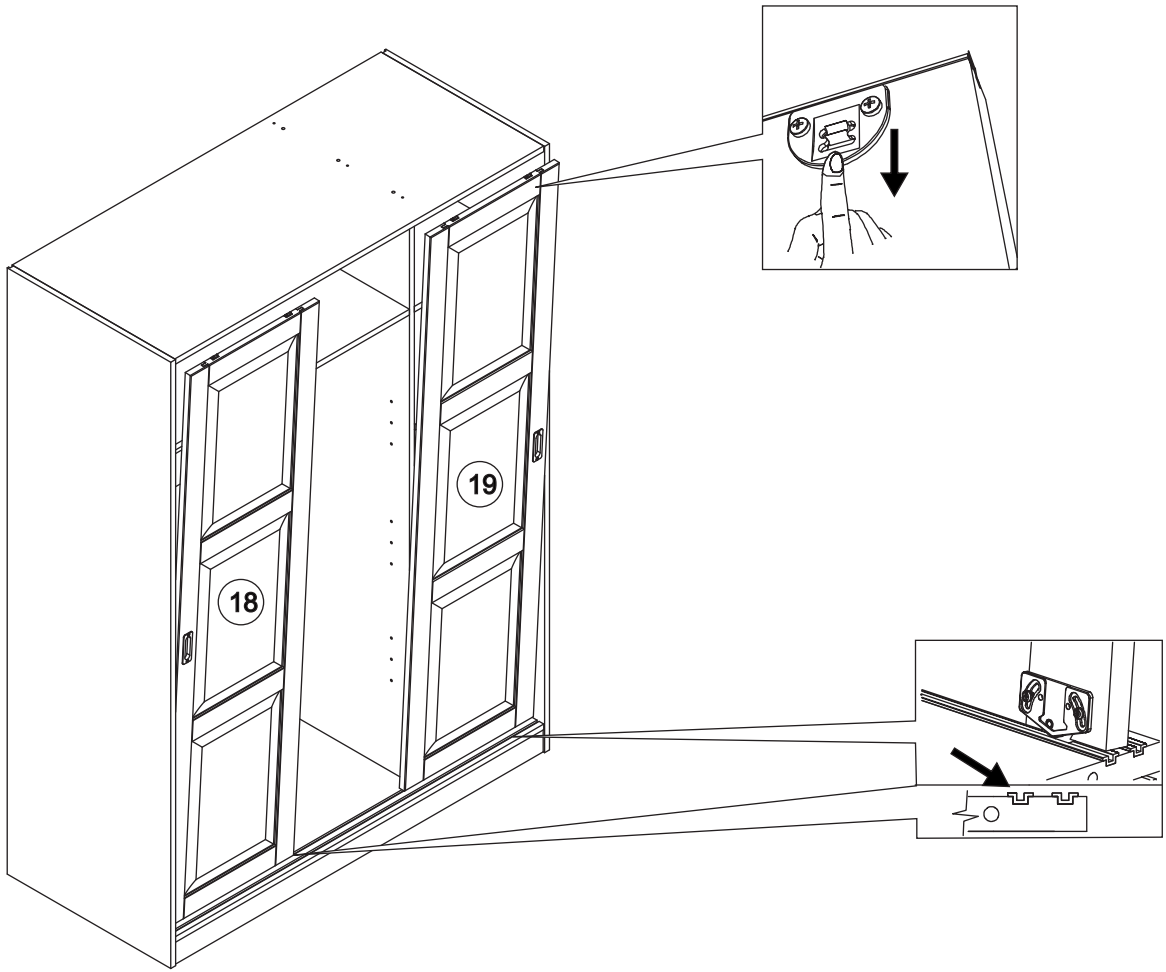
ATTENTION!



A9	 3,5x16	24
E6	 DOOR TOP	04
E7	 DOOR BOTTOM	04



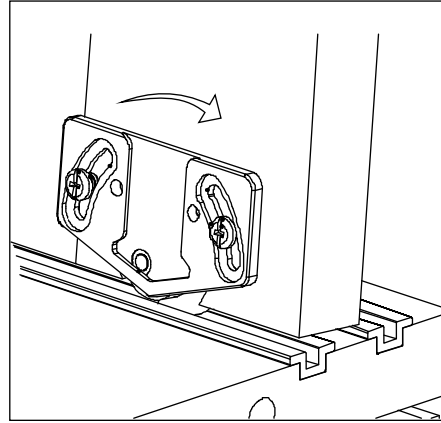
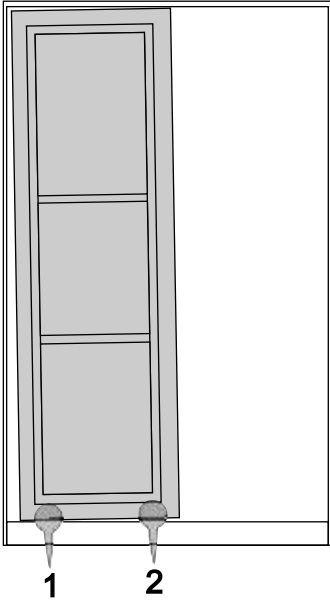
10)



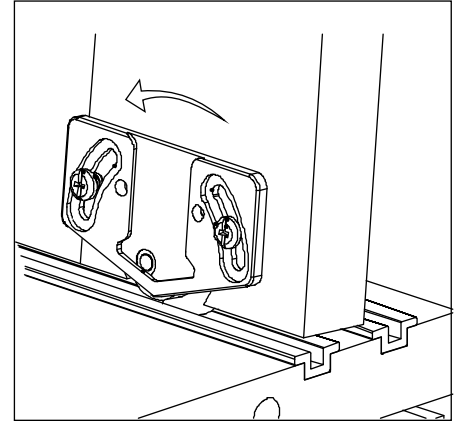
11)

Door Adjustment

If a door is tilted to the left

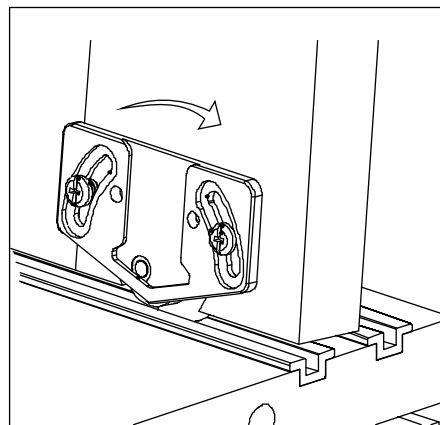
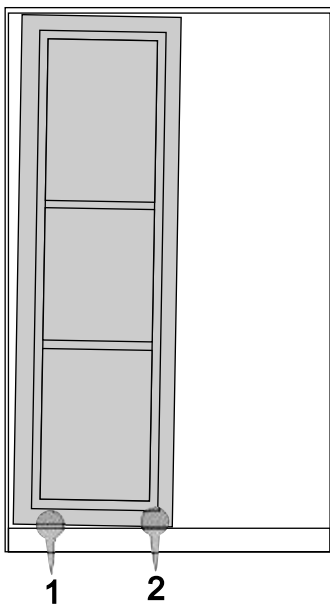


release the screws and
turn slide 1 clockwise

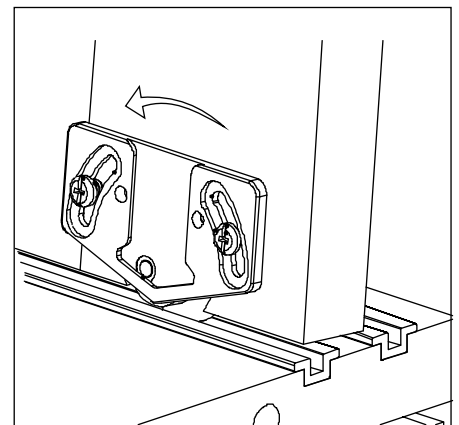


release the screws and
turn slide 2 counterclockwise

If a door is tilted to the right



release the screws and
turn slide 1 counterclockwise



release the screws and
turn slide 2 clockwise